

1

ACCENTUATE THE POSITIVE

The Purposes and Methods of Cub Scouting and Ideals of Scouting	1-1
Highlighting Advancement	1-2
Den Doodles and Flags	1-3
Special Awards	1-4
Capture the Memories	1-8
In the Public Eye	1-9
Boy Behavior	1-12

This chapter deals with everything that is positive in Cub Scouting: Cub Scout ideals, advancement, awards, and good behavior. The goal of the chapter is to suggest ways for you to recognize and reward these things. Rewarding the positive encourages boys and will ensure the success of the program for both boys and adults.

THE PURPOSES OF CUB SCOUTING

Since 1930, the Boy Scouts of America has helped younger boys through Cub Scouting. Cub Scouting is a year-round family-oriented part of the BSA program designed for boys who are in first through fifth grade (or are 7, 8, 9, and 10 years of age). Families, leaders, and organizations work together to achieve the 10 purposes of Cub Scouting:

1. Character Development
2. Spiritual Growth
3. Good Citizenship
4. Sportsmanship and Fitness
5. Family Understanding
6. Respectful Relationships
7. Personal Achievement
8. Friendly Service
9. Fun and Adventure
10. Preparation for Boy Scouts

THE METHODS OF CUB SCOUTING

Cub Scouting uses seven specific methods to achieve Scouting's purpose of helping boys and young adults build character, train in the responsibilities of citizenship, and develop personal fitness. These methods are incorporated into all aspects of the program. Through these methods, Cub Scouting happens in the lives of boys and their families.

1. The Ideals
2. The Den
3. Advancement
4. Family Involvement
5. Activities
6. Home and Neighborhood Centered
7. The Uniform

The Purposes and Methods of Cub Scouting and Ideals of Scouting

Every pack and den activity should reflect the 10 purposes of Cub Scouting, which also reflect the ideals and purpose of the overall Scouting movement. Note that the fifth method of Cub Scouting used to achieve Scouting's purpose is "Activities"—which is what this book is all about.

To emphasize the purposes of Cub Scouting, use them during the **Cubmaster's minute** at the end of the monthly pack meeting or during the **den leader's minute** at the end of the den meeting.

The den leader's minute introduces the formal closing of the meeting. To begin, ask the boys to arrange themselves in a formation, such as a circle or a horseshoe, that will signal to them that it is time to listen. Say something like, "It's time for us to close our meeting for today. But before we go, I'd like for us to think about something important." This "minute" is to be truly that—it should take only a minute or two. Then close the meeting with the Cub Scout Promise, the Law of the Pack, the Cub Scout motto, or another appropriate closing.

Cub Scout Program Helps and the *Webelos Leader Guide* have suggestions for closings that fit the monthly theme. Here are some additional suggestions:

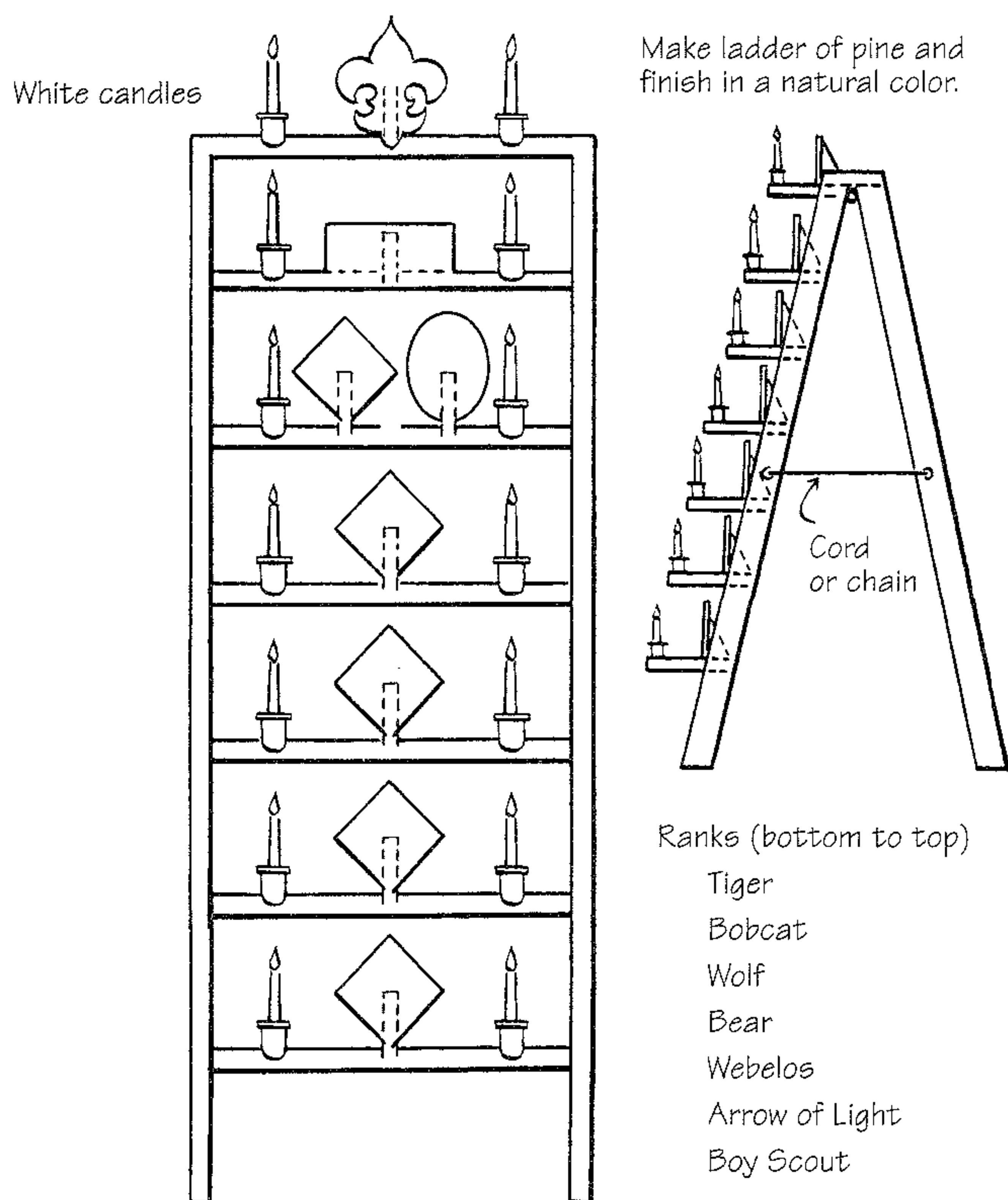
1. Take one line from the Cub Scout Promise or Law of the Pack and ask one of the boys to explain what it means. Help him along as needed, and then ask another boy how that portion of the Cub Scout Promise or Law of the Pack was used in the den meeting that day.
2. Talk about what it means to "Do Your Best."
3. Talk about the fact that every day we have two choices: We can choose to do things that are right and help other people; or we can choose to do things that are selfish and serve only us. Our character and what other people think of us are based on these choices. In the Cub Scout Promise, we promise to help other people. Ask boys whether they will keep that promise.
4. Talk about one of our country's heroes or what makes our country strong. Here's an example: "Meriwether Lewis and William Clark were two of our country's great leaders. In the early 1800s, they and their company, called the Corps of Discovery, forged the path that linked the east and west coasts of this land. When they arrived in what would become Washington State, decisions had to be made about their return. Rather

than just deciding themselves and telling their companions what to do, Lewis and Clark let the members of the corps vote. It would be nearly 70 years before a black man could vote in the United States, and yet York, a black slave who had made the difficult trip, cast his vote with the others. The Constitution wouldn't guarantee the right of women to vote until 1919, but Sacajawea, an American Indian woman, voted with the men that day. America has been blessed with many great leaders like Lewis and Clark. Who will be next? Will it be you?"

5. Talk about incidents at school or in the community that showed good citizenship or bravery, courage, or compassion.
6. Pick out a familiar saying or song and tie the meaning into the purposes of Cub Scouting. For example, Johnny Mercer wrote in his song: "You got to accentuate the positive, and eliminate the negative." Another way to say this might be to make the most of your blessings and make the least of your troubles.
7. Give the boys an opportunity to tell one good thing that happened to them that day or week.
8. As a group, talk about what it means to be a friend, respect others, or share.

Highlighting Advancement

CEREMONY LADDER

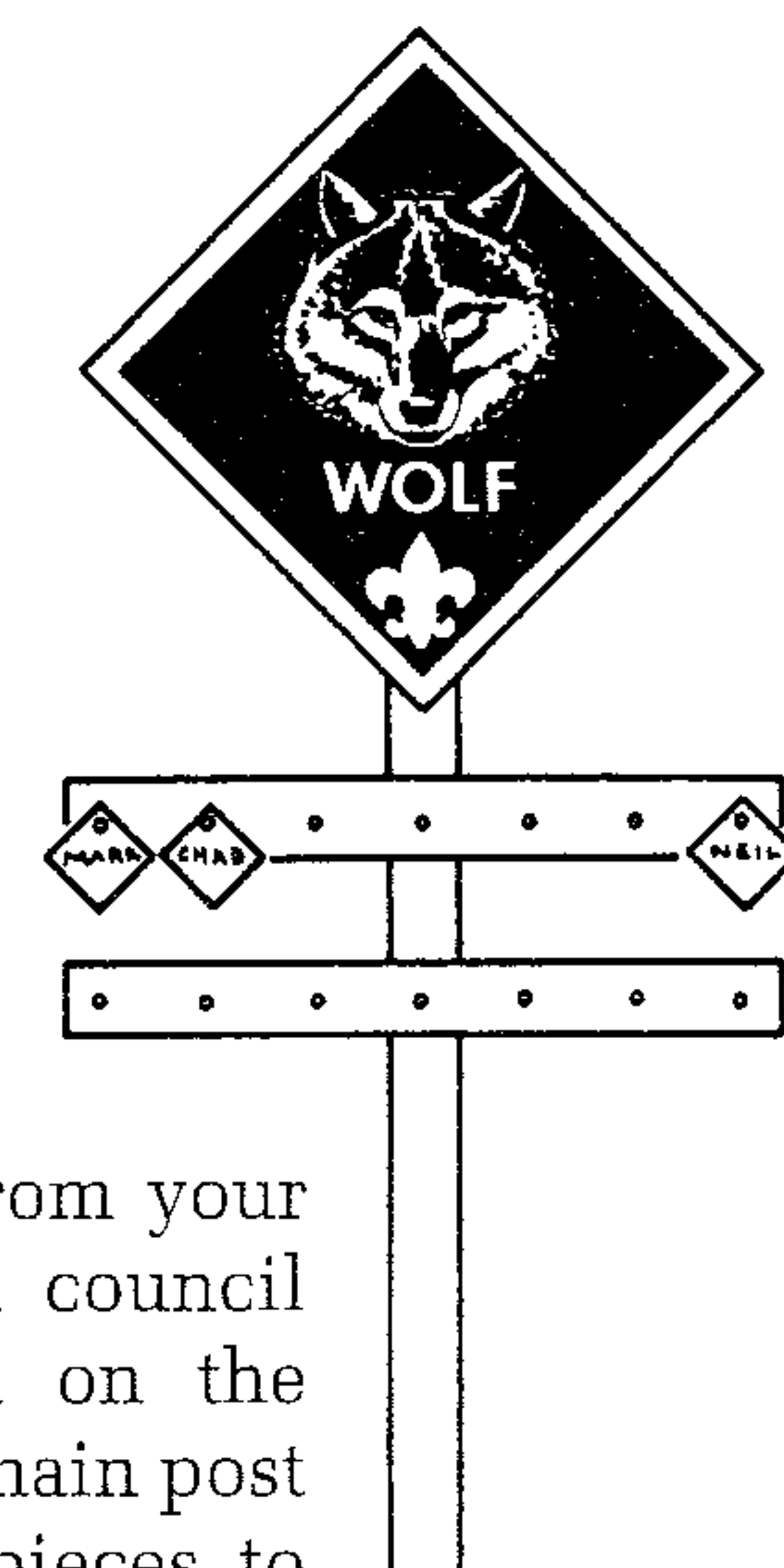


Materials: Ladder, badge shapes cut from wood or foam board, candleholders, candles

You can use over and over a pack ceremony ladder like the one shown. The ladder folds for easy storage. You can make a ladder from pine and finish it with varnish or shellac, but any ladder will do. Cut badge shapes from wood or foam board and fasten them to the rungs. Burn the badge designs into the wood or use large Cub Scout insignia stickers adhered to foam board. Fasten candleholders to each rung and light each candle as that particular badge is represented in the ceremony. Be sure the candle flames will not be under the rungs above them.

AKELA'S TOTEM

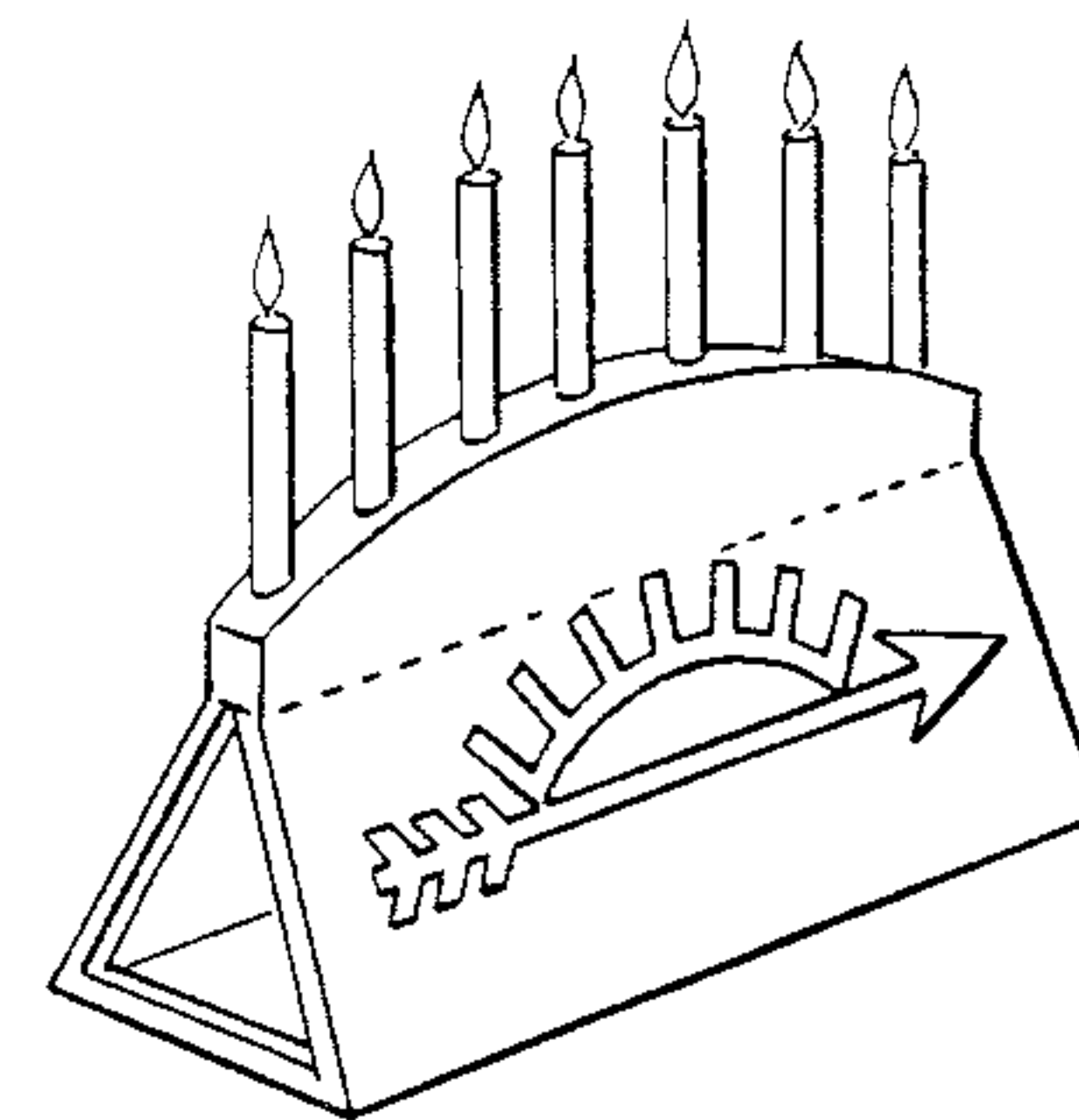
Materials:
 Insignia posters
 Wood or foam board
 1-by-2-inch wood
 Nails
 Coffee can
 Plaster



This totem can be either floor- or tabletop-sized. Use the Cub Scout Insignia Poster Set that may be purchased from your Scouting distributor or local council service center. Mount them on the foam board and attach to the main post of the totem. Nail the crosspieces to the main post and hammer nails into them, one for each boy. Hang from these nails small diamond-shaped posterboard pieces with each boy's name on it. A small coffee can filled with plaster can hold the totem if it is inserted into the plaster just before it sets.

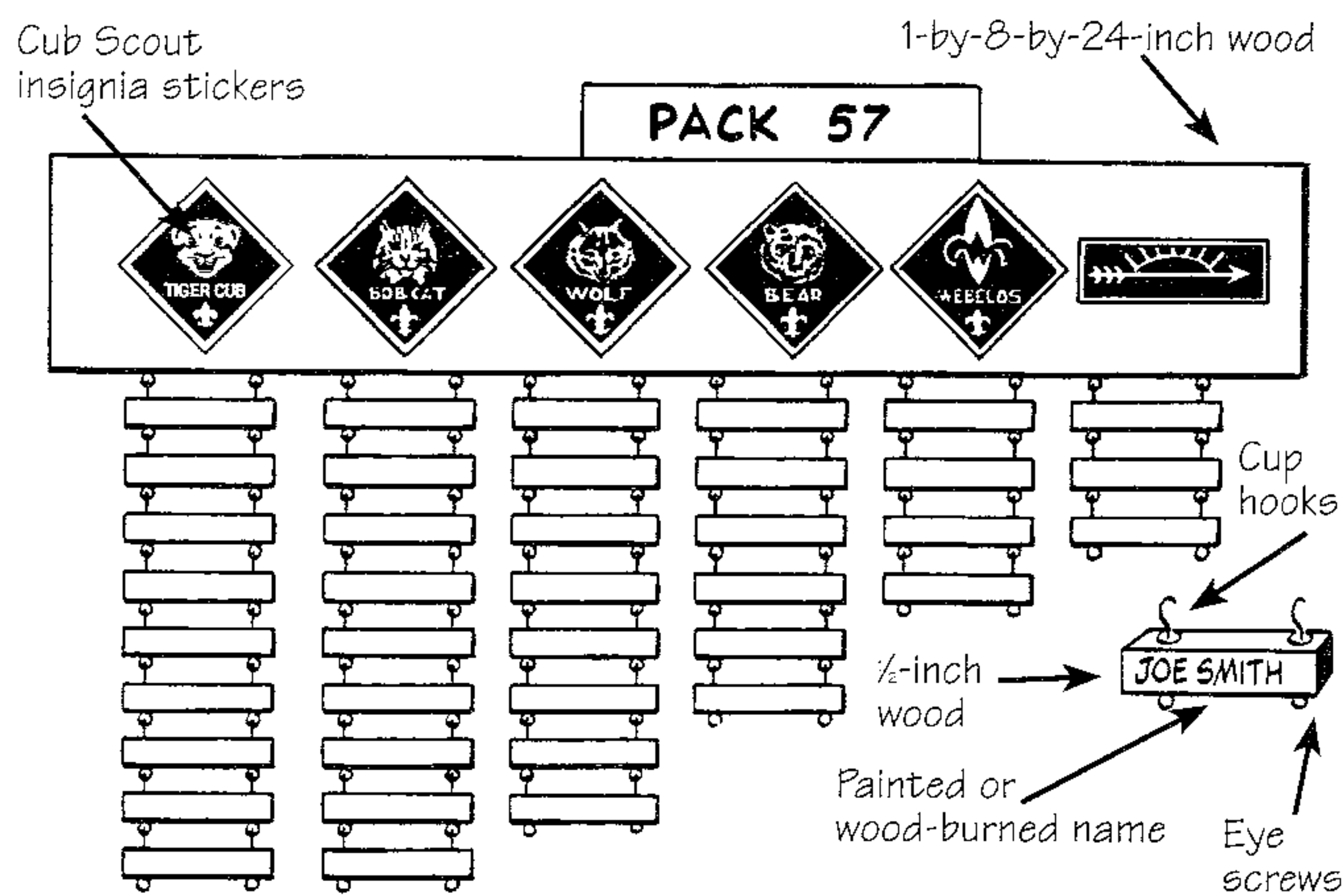
TWO-WAY CEREMONY BOARD

Materials:
 1-by-2-inch board
 Hardboard
 Paint
 Drill
 1/4-inch plywood
 Glue



This ceremony board is easy to make and can be used in many ceremonies. Cover the 1-by-2-inch board with hardboard. Paint it blue. Drill holes in the top for gold candles. The front and back sides are identical, with storage space inside. Cut the Arrow of Light from 1/4-inch plywood, paint it gold, and glue it to the board.

PACK ADVANCEMENT BOARD



Materials:

- 1-by-8-by-24-inch wood
- Cub Scout insignia stickers
- 1/2-inch wood for name boards—one per boy
- Two cup hooks per name board
- Two eye screws per name board
- 10 additional eye screws

Boys will look forward to adding their names to an advancement board. As Cub Scouts earn a rank and receive their badge, they hang small name boards under the appropriate rank as a part of the advancement ceremony.

An alternative to this advancement board is to use PVC pipe to build the frame. PVC pipes and joints create a frame that is inexpensive, lightweight, and easy to assemble and transport as well as durable.

DEN ADVANCEMENT CHART

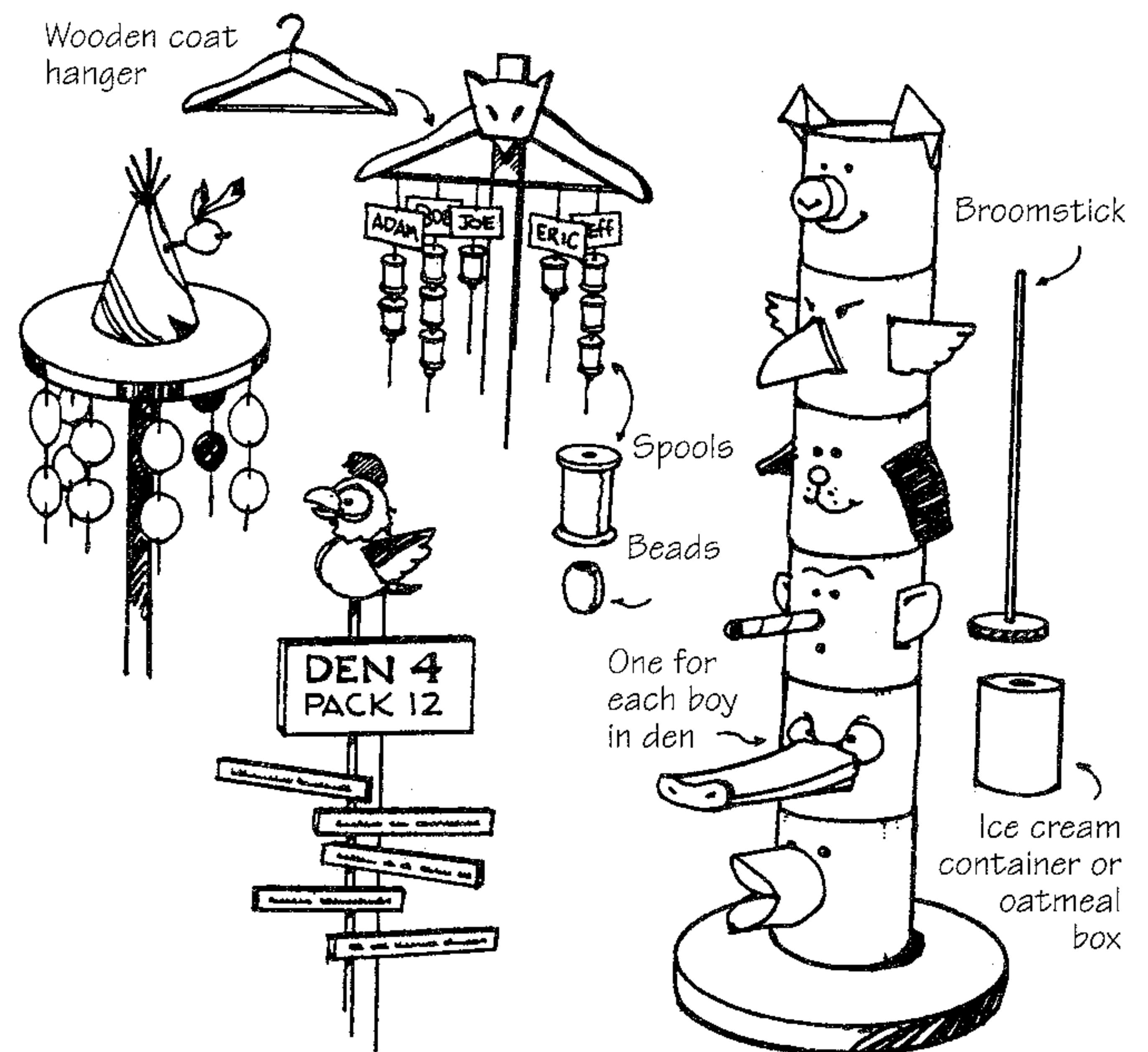
You can purchase Cub Scout and Webelos Scout den advancement charts from your Scouting distributor or local council service center. Or create one from posterboard. Place each boy's name on the chart and add a sticker to the chart for each achievement as he completes them. Give the responsibility for updating the chart to the denner or the boy who has earned the achievement.

Den Doodles and Flags

DEN DOODLES

A den doodle is a clever way to record advancement progress and other accomplishments of the boys as well as a colorful decoration for the den meeting place. It can be something as simple as a chart, much like the den advancement chart, or it can be a simple structure consisting of a cutout mounted on a stand. No two den doodles are alike.

With the boys' help, choose a design that "fits" the den. Den doodles can be made from wood, cardboard, foam board, or other materials; they can be a tabletop or floor design; or they can hang on the wall or from the ceiling. Include the den's number and a place for each boy's name and advancement record or accomplishment. Add something to the den doodle at each meeting, recognizing attendance, proper uniforming, and behavior as well as completed achievements towards rank. Colored beads and shells slipped onto leather lacing are common items for symbols of progress. Identify each symbol with an achievement or elective number or activity badge name.



Dens may earn simple awards (sometimes called *dingle dangles*) for a variety of things, such as perfect attendance, good behavior, participation in service projects, or responsibilities at the pack meeting. For example, the den leading the flag ceremony at the pack meeting or at school might earn a small flag to hang on their den doodle; the den that leads a song might earn a musical note made of felt.

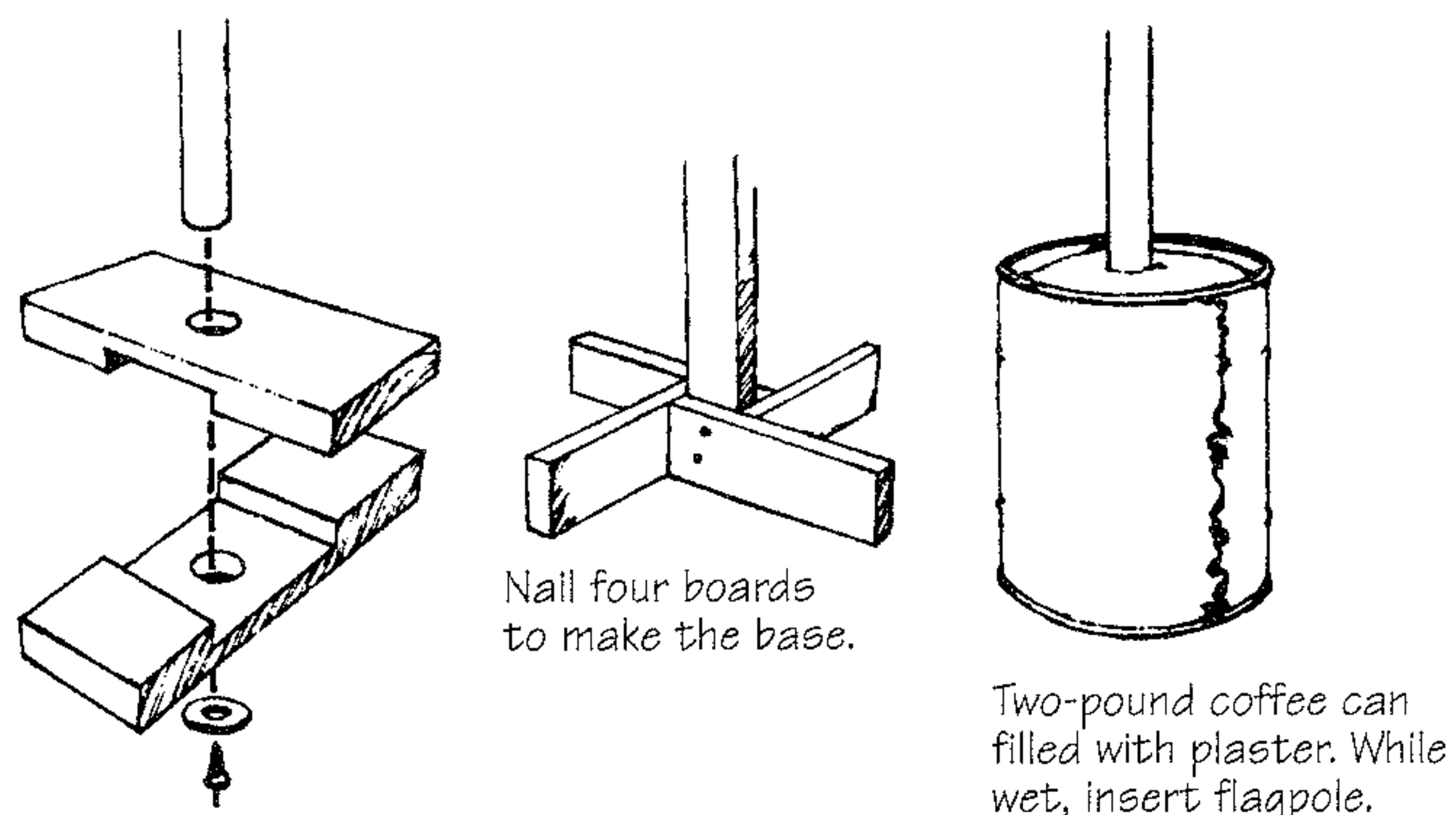
You can find more examples of den doodles in *Cub Scout Ceremonies for Dens and Packs*.

DEN FLAGS

Den flags are simple flags that represent each den and give den members a sense of camaraderie and identification. The flag is blue and yellow with the den number on it. Den flags are available from the BSA Supply Division.

The flag may go home with a different boy after each meeting or may be the responsibility of the denner for the month. The flag should be brought to each pack meeting and mark the place where the den sits.

BASES FOR DEN DOODLE OR DEN FLAG



Make bases from wood or from a two-pound coffee can filled with plaster, as shown. Cover the end of the flagpole with aluminum foil and grease with a thick layer of petroleum jelly so it will slip out easily after the plaster hardens. Or use a piece of PVC pipe that has an opening slightly larger than the diameter of the flagpole. Cover the bottom end of the PVC with foil and set it into the wet plaster. It should stick several inches out of the plaster. When dry, the pole will slip easily into the PVC pipe.

Special Awards

CUBBY

The Cubby is a pack trophy awarded each month for a variety of reasons. Award it to the den with the largest percentage of parents or guardians at a pack meeting. Or award the "best-uniformed den" or "best-behaved den." The pack committee determines the award category and keeps it secret until the pack meeting. Cubby is a "traveling" trophy and should be returned to the pack meeting each month to be presented again. The pack might keep a scrapbook of photographs showing Cubby with the members of each den and at the various den activities.

Tin Man Cubby

Materials:

A variety of cans for the Cubby parts—

Hat: 5¹/₁₆-inch funnel

Head: 4¹/₁₆-inch-tall can

Neck: 2³/₈-inch-tall can

Ears: Two 2¹/₈-inch pieces cut from can

Body: 12-inch-tall can

Upper and lower arms: Four 3³/₄-inch-tall cans

Hands: Two 2¹/₈-inch-tall cans

Thighs: Two 4¹⁵/₁₆-inch-tall cans

Lower legs: Two 3³/₄-inch-tall cans

Feet: Two 3³/₄-inch-tall cans

Fabric for neckerchief

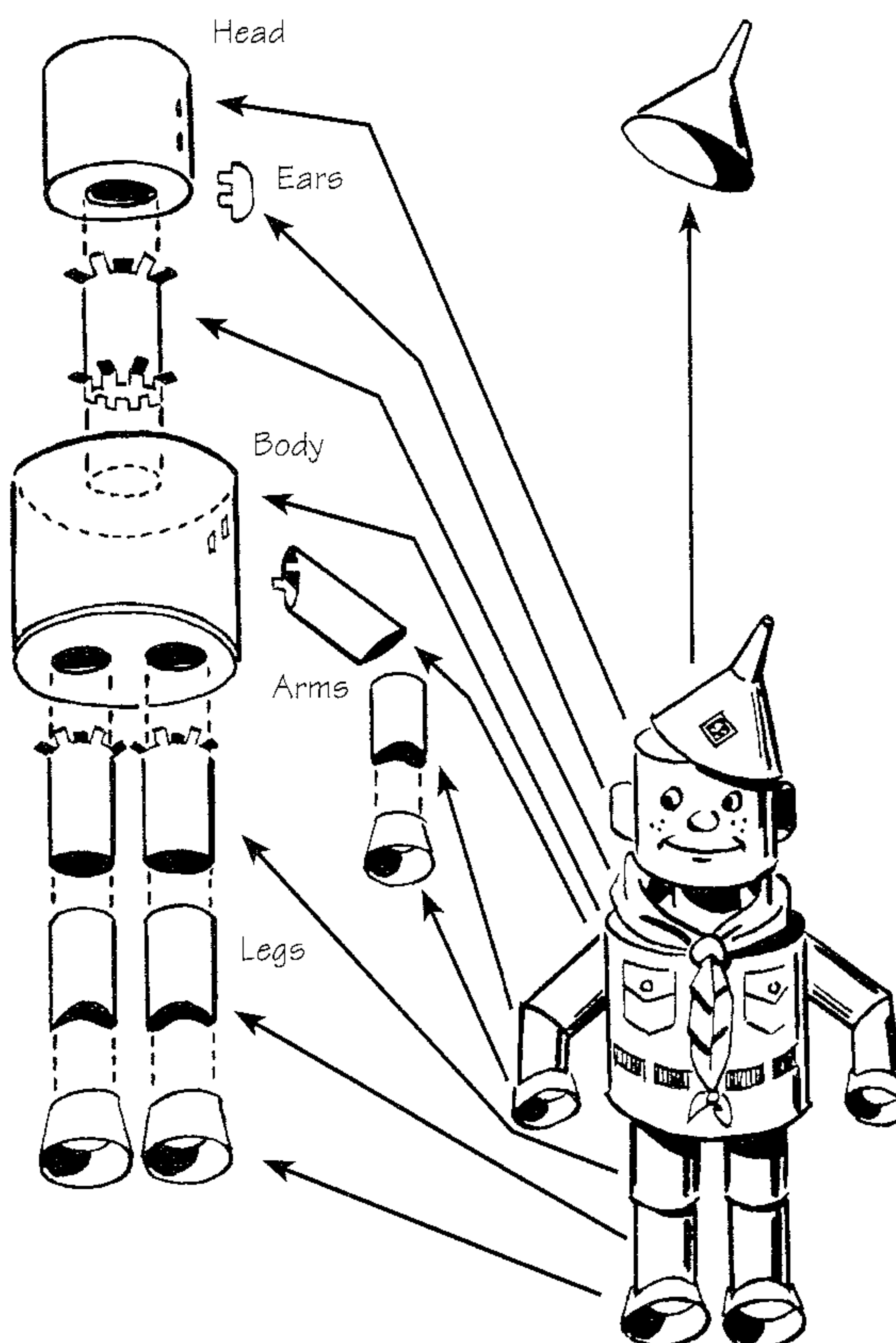
Solder

Tin snips

This Cubby is approximately 27 inches tall. His size depends on the tin cans used. (See the "Crafts" chapter of this book for suggestions on working with tin.)

To assemble the Cubby:

1. Cut holes in the bottom of the head and the top of the body for the neck can. Flange both ends of the neck can. Insert the neck in the head and body, and solder in place. If you don't have a soldering iron, you can use special contact glues that bond metal to metal.
2. Assemble the leg parts. Flange to the ends of the thigh cans. Solder the closed ends of the thigh and lower leg cans together. Trim to fit the foot cans. Remove both ends from the foot cans and flatten to about 2 inches. Solder to the lower legs.
3. Cut holes in the bottom of the body can close to the outer rim to hold the thighs. Insert thigh flanges in the body, and solder in place.
4. Cut ears from can tops so the ridges of the tops form the edges of the ears. Cut flanges and spread them to fit the head. Solder in place.
5. To make the arms, remove the rims from the cans. Cut the upper arm cans to fit the body, flatten slightly, and solder to the body. Remove both ends from the lower arm cans. Cut off the lower rims, flatten slightly, and solder to the hands. Then push the lower arms over the upper arms and solder.



6. Tilt the funnel and solder it to the head.
7. Sand all rough spots and sharp edges.
8. Paint the Cubby to resemble a Cub Scout, and add a neckerchief made of fabric.

Bowling Pin Cubby

Materials: Bowling pin, acrylic paint

Paint an old bowling pin to look like a Cub Scout. It can be as simple as a head, a painted-on neckerchief, and a blue body. Or you can make a cap and neckerchief from fabric and glue them on.



WISE OLD OWL AWARD

Wise is the pack that encourages the boys, the dens, and the pack to earn the National Summertime Pack Award. The pack must earn the National Summertime Pack Award in order for individual boys and dens to be eligible to earn this award also. To emphasize this award, a pack might offer the Wise Old Owl Award to dens and individual boys. The pack committee sets the criteria for winning the award. Each den leader keeps track of the den's activities and each boy's participation during the summer. The records are turned in to the pack committee at the end of the summer, and the awards are presented at the first fall meeting to each den meeting the criteria. Awards become more elaborate as the dens and boys exceed the basic criteria.

Wise Old Owl for Dens

Materials: 3-inch leather rounder (round piece of leather), hole punch, permanent markers or owl leather stamp, leather lacing, colored beads or feathers

Punch two holes in the leather rounder at the edges, across from one another. Draw an owl on the rounder with permanent markers or use a leather stamp. Attach leather lacing at both holes. One is for hanging on the den flag, the other, for adding beads, feathers, etc., to indicate the involvement of the den during the summer. The more boys involved, the more den meetings held, the more elaborate the award.

Wise Old Owl for Boys

Materials: Candy mold of owl, ring for neckerchief slide, plaster, acrylic paint

Make plaster owls for neckerchief slides. As the plaster hardens, place a ring in it for the neckerchief to go through. When hard, remove from the mold and paint with acrylic paint.

AWARDS FROM THE HEART

Everyone needs a pat on the back to feel appreciated! These awards, suitable for both boys and adults, are quick and easy. Remember to reward den chiefs, pack leaders, and family members, too. Be sure to mention specifically what the person is being recognized for.

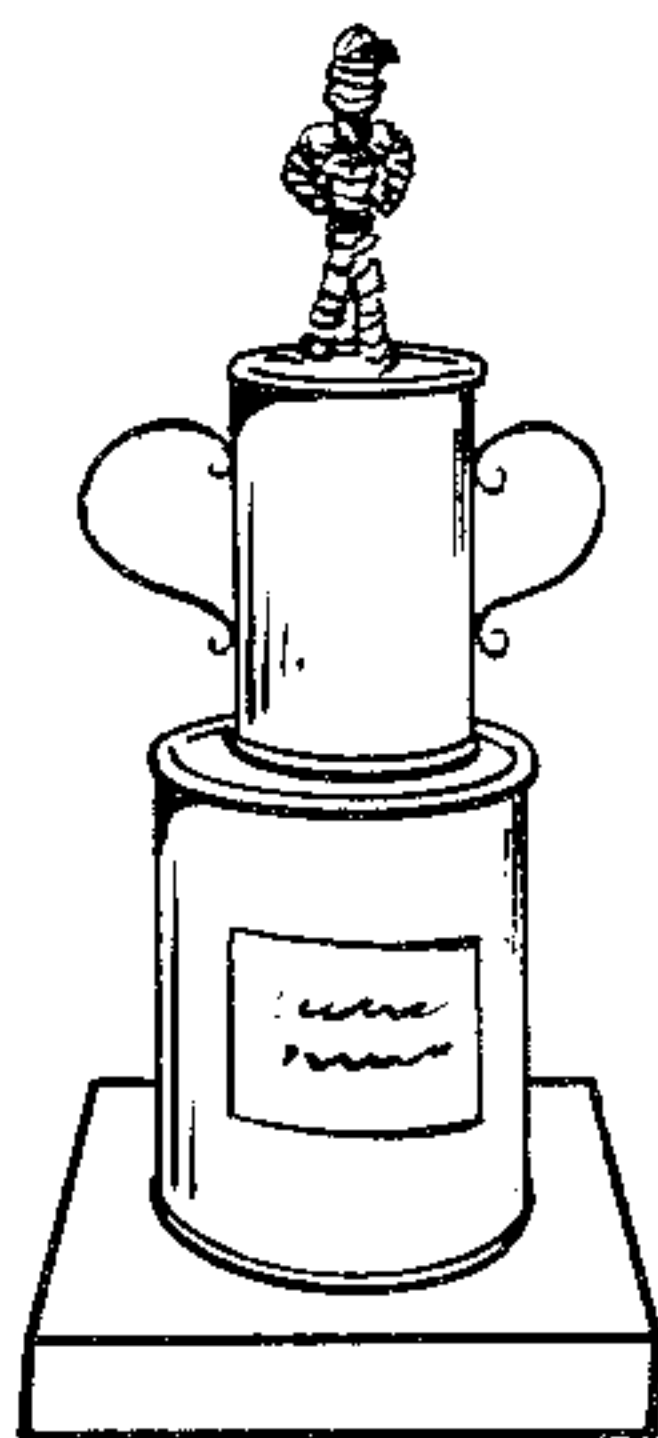
- **Monu-MINT-al Award:** Attach a mint to a note or certificate stating that the person has made a monu-mint-al contribution to Scouting.
- **Chalk It Up to Another Great Job:** Glue pieces of chalk to wood or foam board that state "Great Job!"
- **You Have Been the Link to Success:** Award links of a chain.
- **We Are Not STRETCHING It—We Appreciate You:** Mount rubber bands on foam board or mat board.
- **Smooth Sailing Award:** Award a small toy sailboat.
- **Good Sport Award:** Write "Good Sport" on a baseball.
- **What a Catch:** Award a certificate with a fish picture or plastic fish.
- **You Are Tops:** Award a toy top.
- **You Are the Best of the Bunch:** Award fresh or artificial grapes or bananas.
- **You Rose to the Occasion:** Award a fresh or artificial rose.
- **Appreciation From Your Scouting Fans:** Award a handmade paper fan.
- **You Are Worth a Million:** Award play money or gold-covered candy coins.
- **For the Person Who Can't Be Licked:** Award a lollipop.
- **Top Dog Award:** Award a dog chew toy.
- **Thanks...**
 - For Leading Us in the Right Direction: A compass
 - For Sticking to It: Tape or glue
 - For Lighting Up Our Meeting: A light bulb
 - For Tying Up Loose Ends: Shoelaces

TROPHIES

Materials:

- Two cans of different sizes
- Spray paint
- Coat hangers
- Pipe cleaners or plaster figure
- Small square of wood
- Stain or paint
- Foam board

Glue the smaller can to the top of the larger can. Make two handles out of coat hanger wire and glue them on the top can. Spray-paint the trophy. Glue a plaster figure to the top, or if desired, make a small figure out of pipe cleaners. Glue the whole thing to a square of wood that has been stained or painted and sealed. Attach an appropriate "plate" made from foam board.



WOOD MEDAL

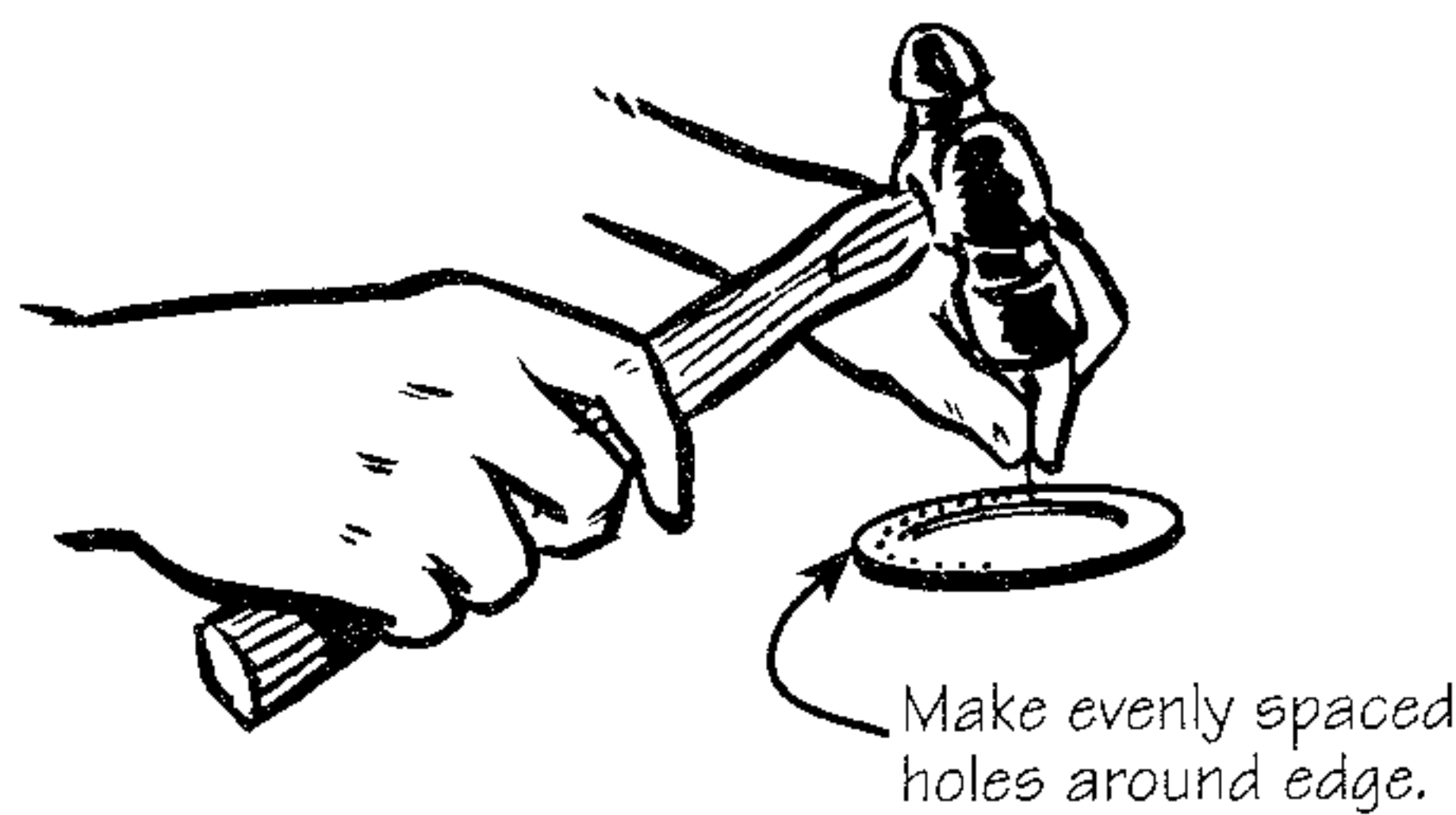
Materials: 3-inch square of wood; stain or paint; markers; ribbon, leather lacing, or yarn

Drill a hole in the corner of a wood square. Stain and seal or paint the square. Use markers to decorate, indicating first, second, or third place. Attach ribbon, leather lacing, or yarn to hang around the neck.

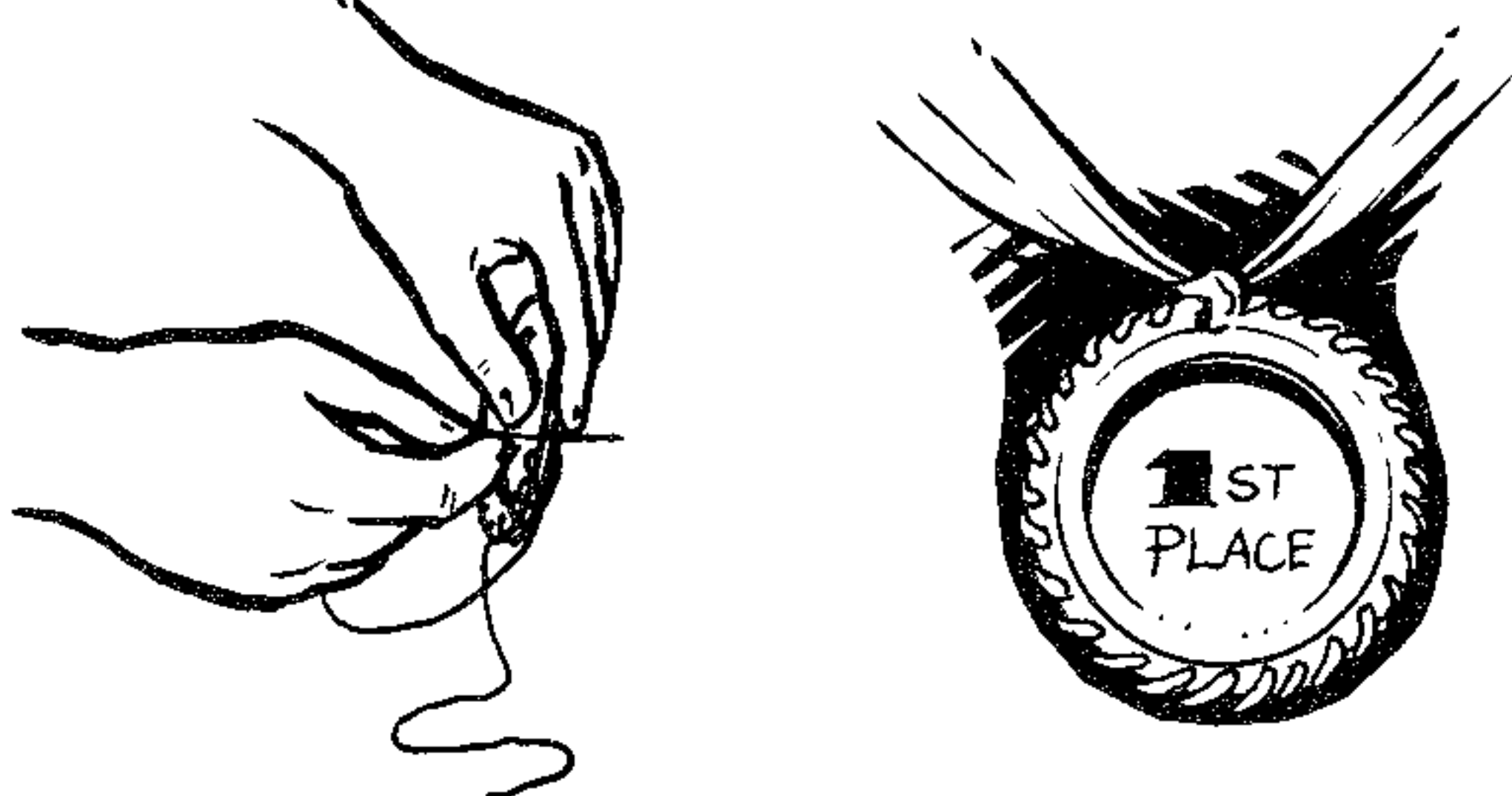
METAL LID MEDAL

Materials: Canning jar or frozen juice lid, nail and hammer, yarn or 1/8-inch ribbon, paint

Canning jars or frozen juice lids make good medals. Begin by making evenly spaced holes around the lid edge with a nail and hammer. Paint the lids different colors and indicate first, second, or third place. Weave yarn or ribbon in and out of the holes, making the yarn long enough to hang around the neck.



Weave yarn in and out of holes.



Paint lids different colors for first, second, and third.

CARDBOARD MEDAL

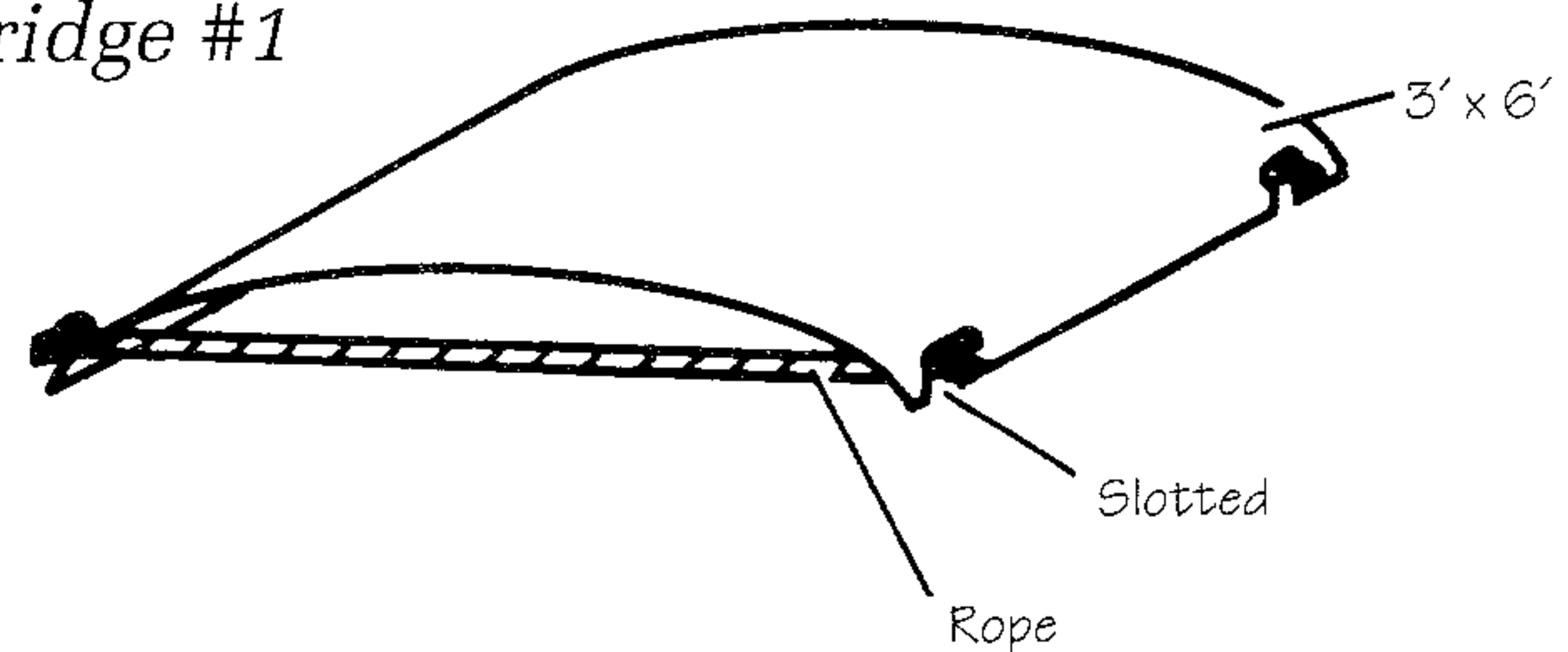
Materials: thick cardboard; silver, gold, and bronze wrapping paper; glue; permanent marker; ribbon

Cut two rounds from the cardboard 2 1/2 inches in diameter. Glue them together and wrap with the wrapping paper, gluing the edges to the back. Punch a hole at the edge of the circle and thread the ribbon through it for the necklace. Label the medal first, second, or third place with the permanent marker.

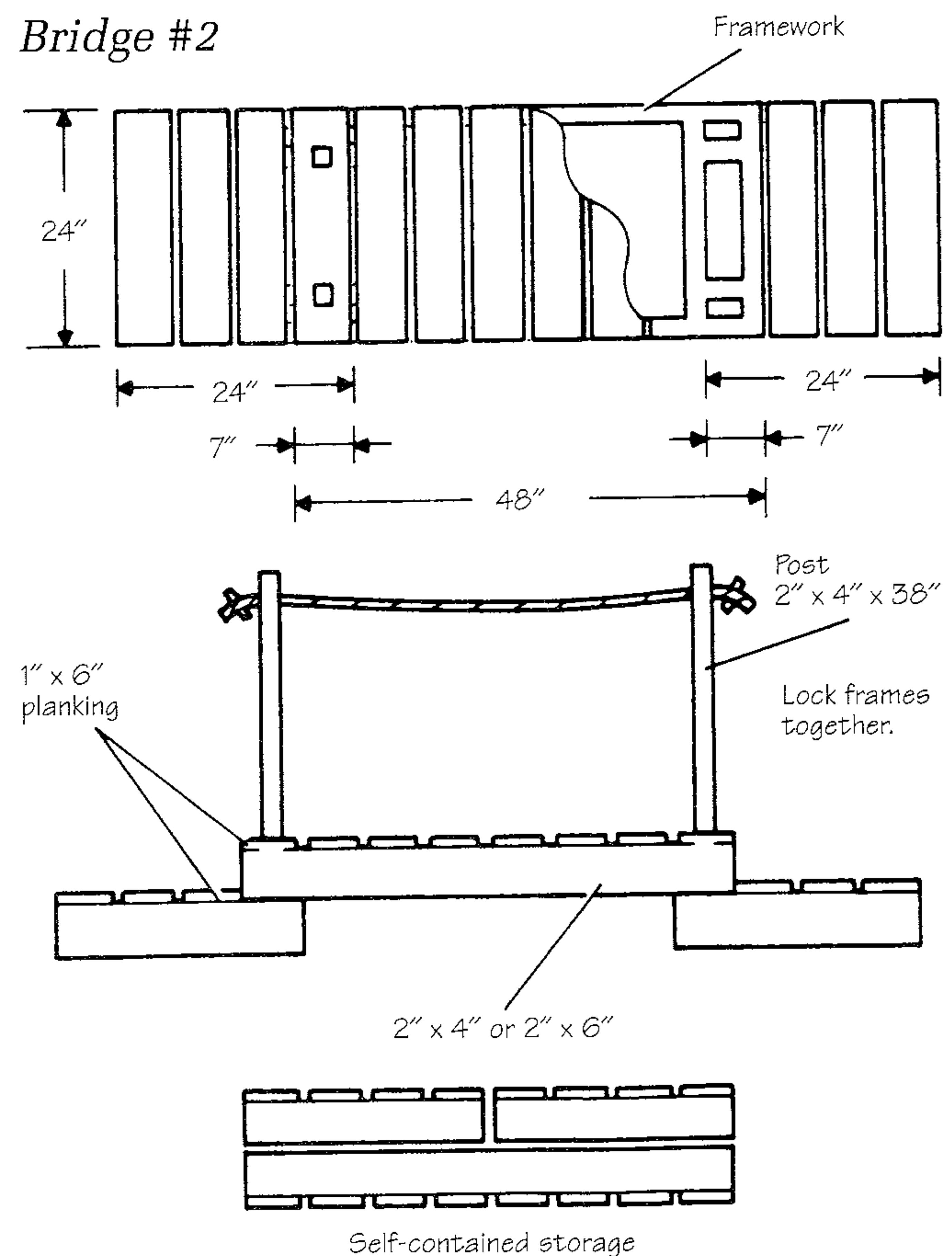
BRIDGES

Bridges are often used in advancement ceremonies when boys move from one rank to another or from one level of the Scouting family to another. Use the Family Talent Survey to find someone in your pack who likes to build things. You will want the bridge to be sturdy and safe. Diagrams for three possibilities are shown here.

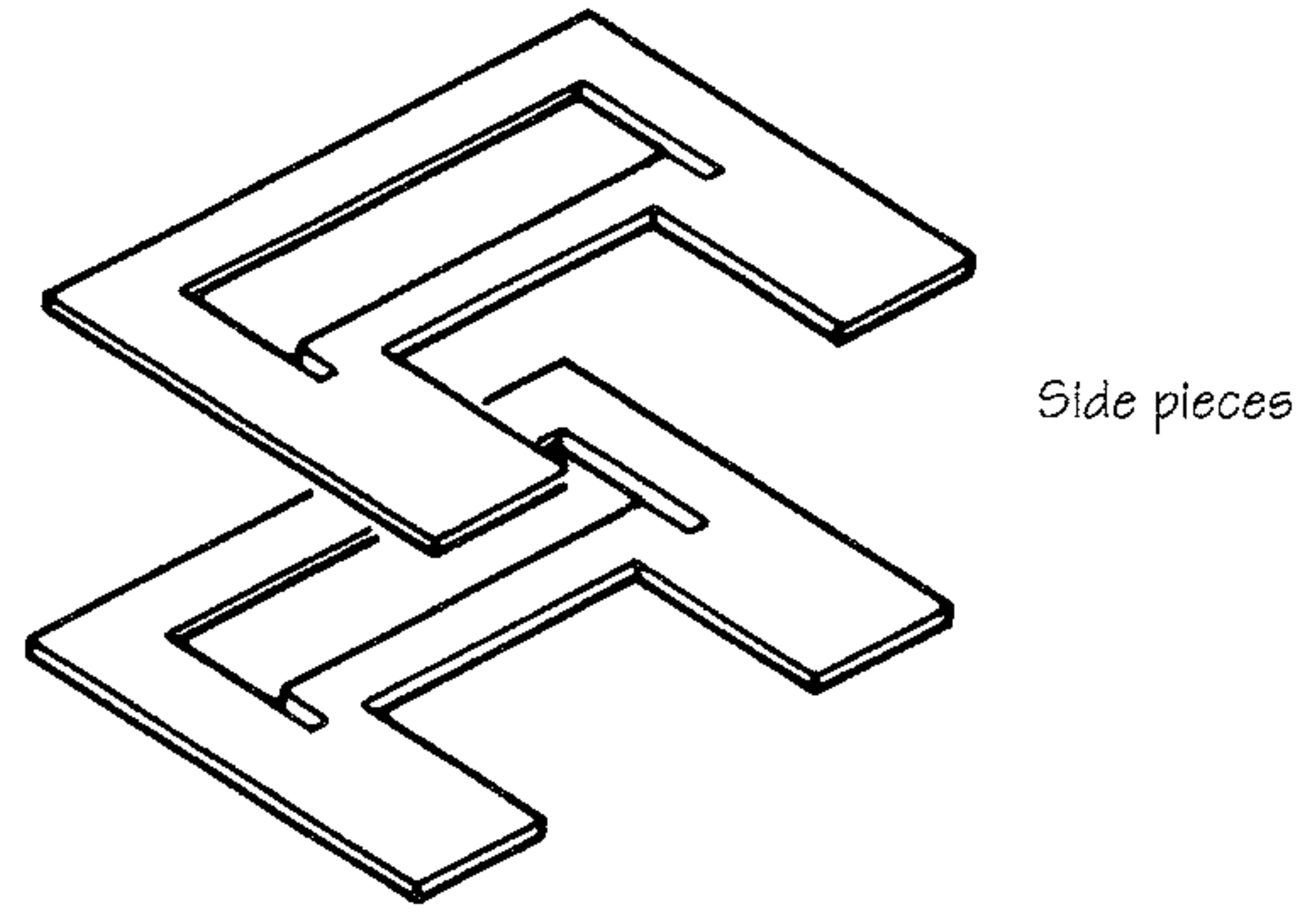
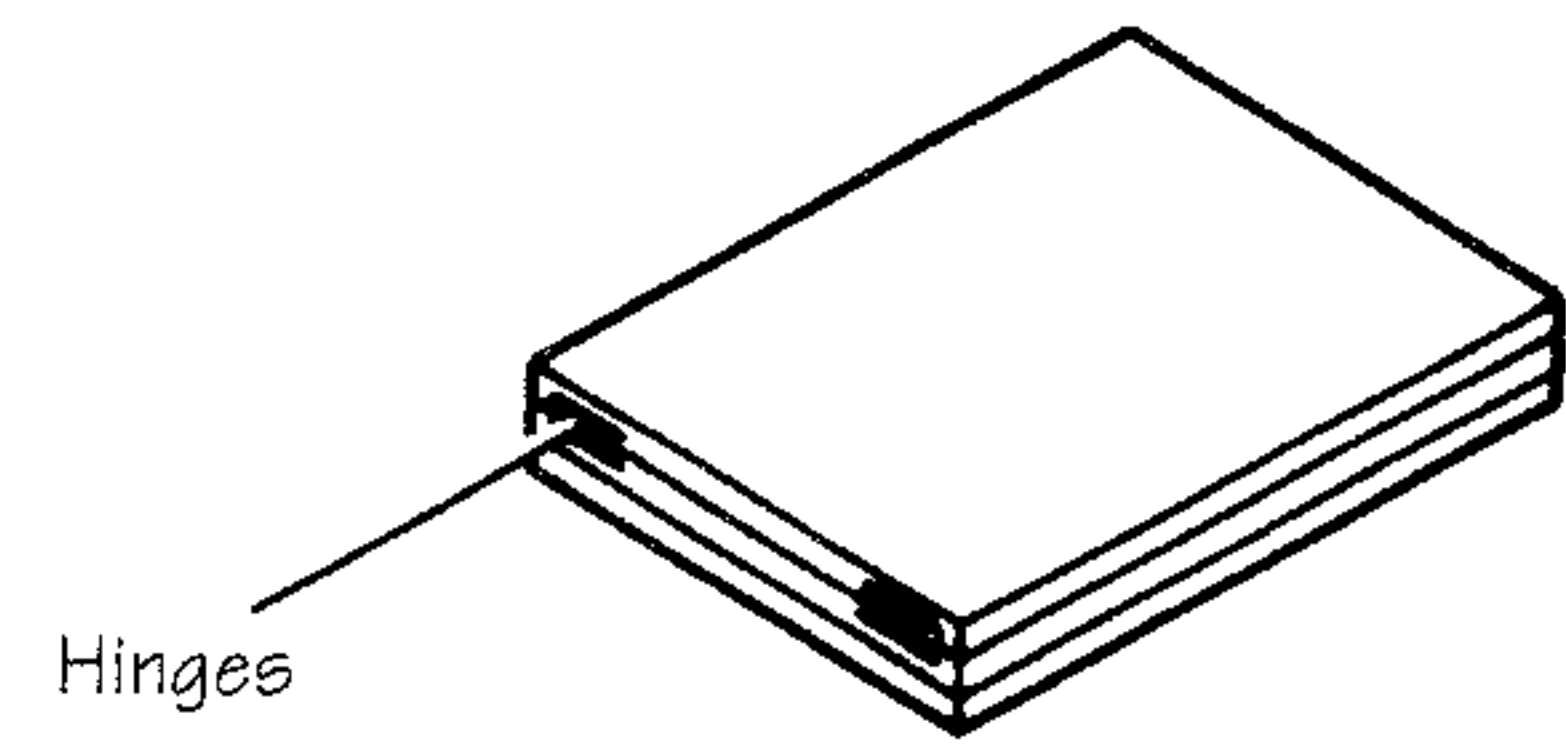
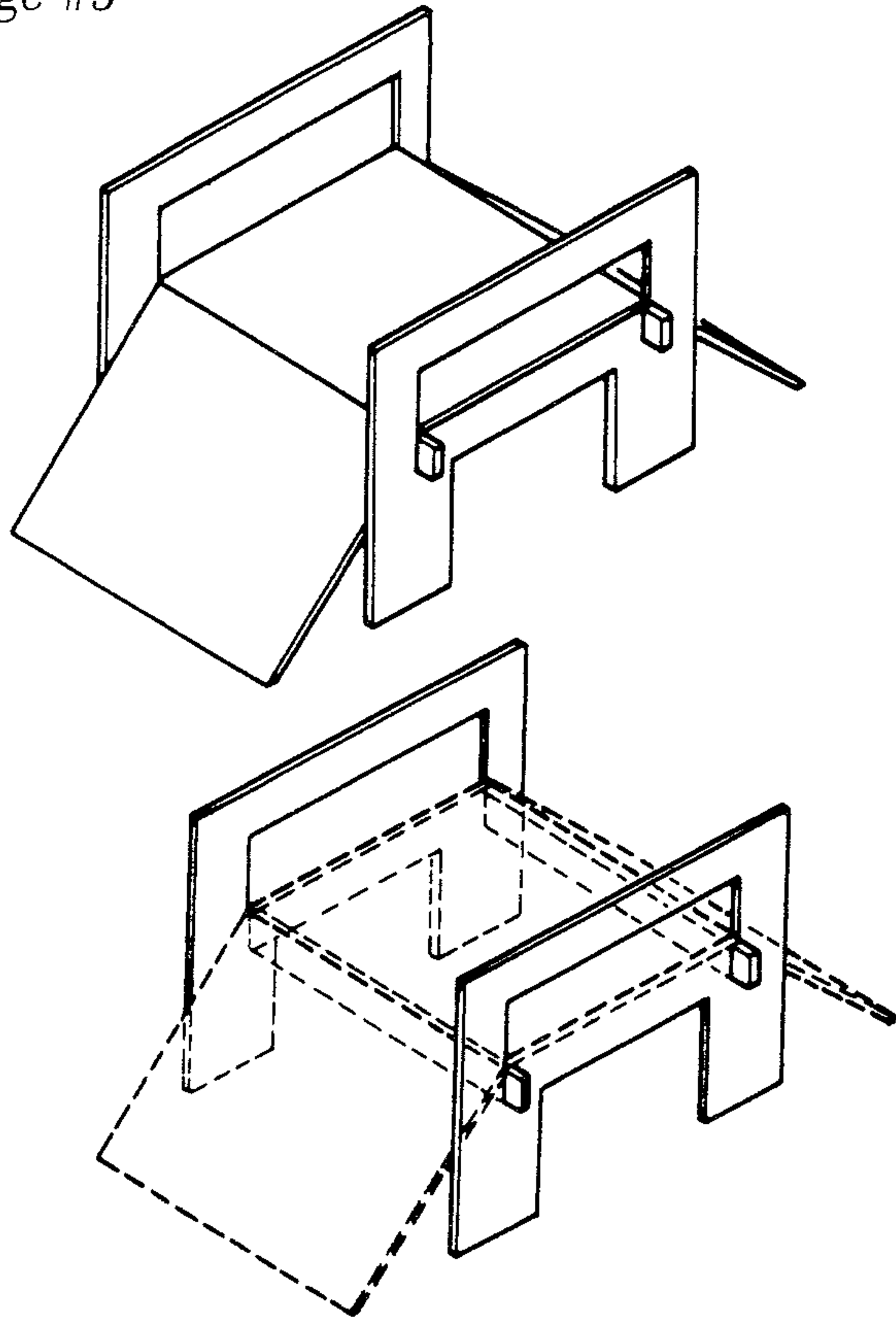
Bridge #1



Bridge #2



Bridge #3



Materials for Bridge #3

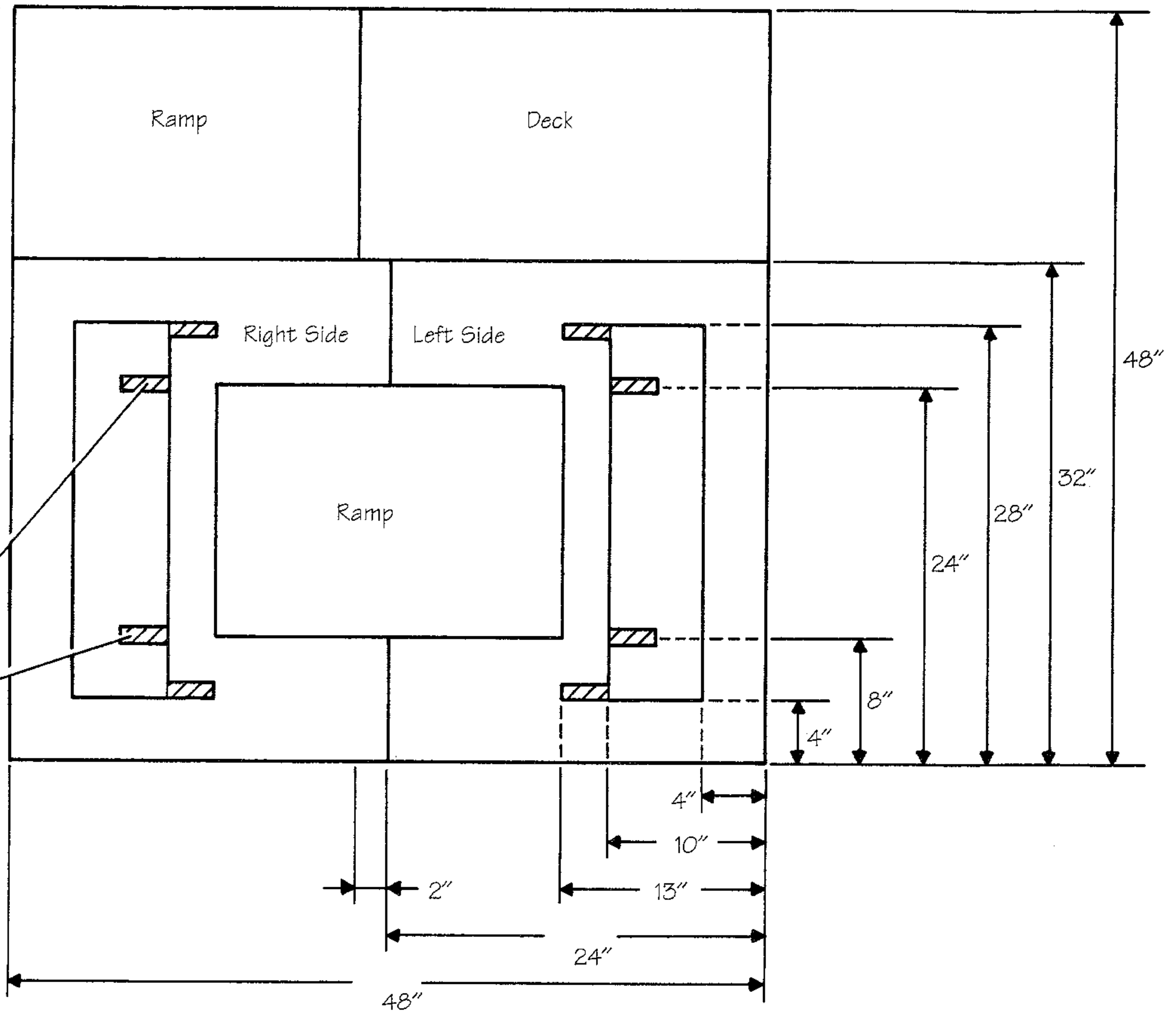
- ¼ inch Plywood 4 feet by 4 feet Grade A or B
- Hinges
- Paint

Hinge ramps to deck.

To store, pull hinge pins.

Sides and rails slot together to form a basic bridge structure.

All Slots:
¼" wide by 3" long



Capture the Memories

Scouting is a series of steps aimed at the highest achievement: the Eagle Scout Award. The suggestions below are designed to help boys celebrate how far they have gotten on the road to the Eagle Scout rank and to capture their Cub Scouting memories.

PATCH BLANKET

Materials: Blanket, patches the Cub Scout has earned

Patch blankets can display extra badges a Cub Scout has earned. Use any size of blanket that will fit on the Cub Scout's bed, and stitch the patches on it.

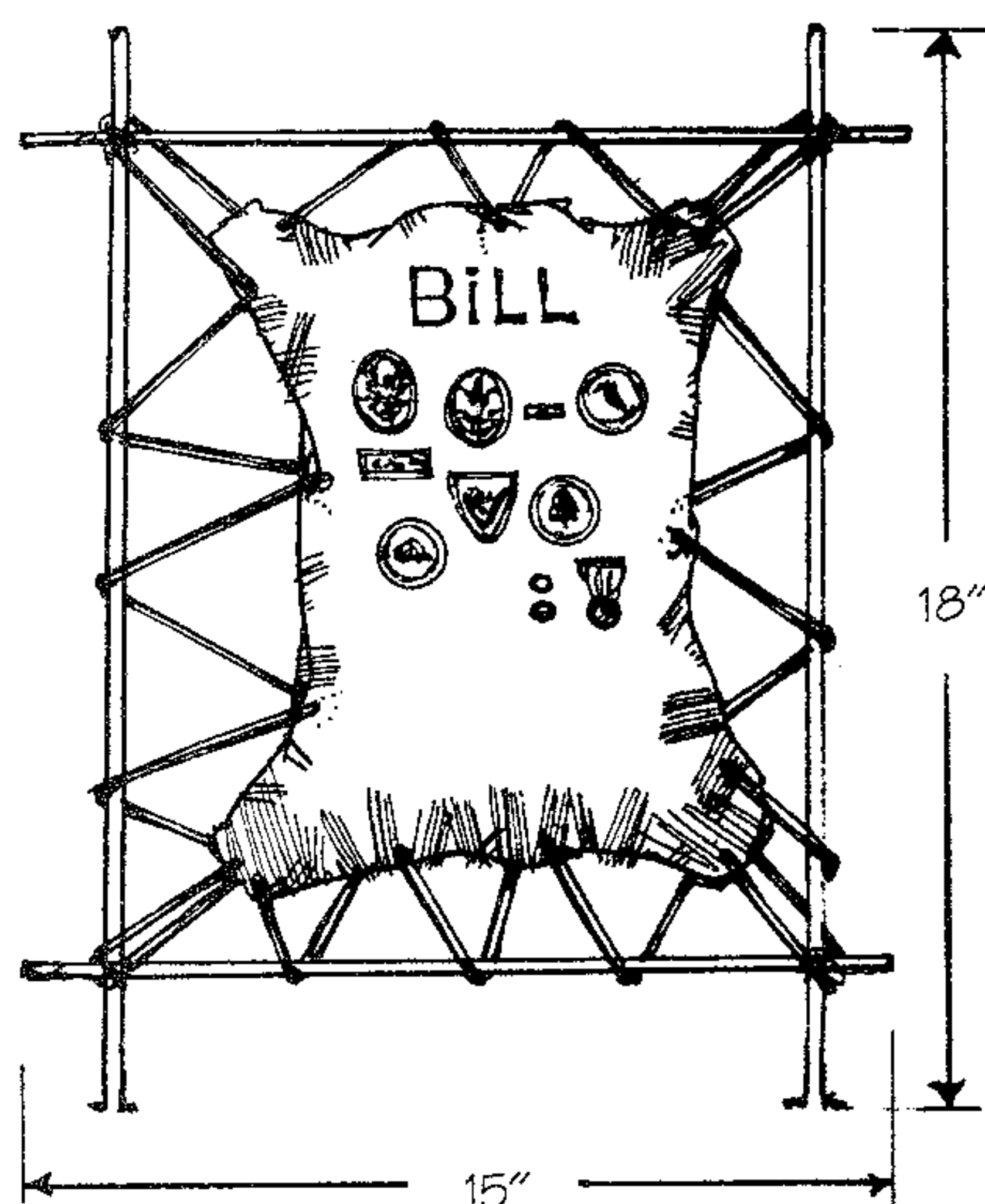
SCRAPBOOK

Materials:

- Scrapbook, three-ring binder, or cardboard pieces wrapped in fabric
- Acid-free paper
- Hole punch
- Markers, stickers, rubber stamps, etc.
- Pictures, advancement award cards, etc.
- Double-stick tape

Punch holes in the paper to fit your scrapbook. If using cardboard, tie it all together with ribbon, string, or leather lacing. Use double-stick tape to adhere the pictures, awards, etc. Decorate the pages and encourage the boys to write something in the book about the event or award. This is a good project to show off at the blue and gold banquet.

TROPHY SKIN



Materials: Two 18-inch and two 15-inch sticks or dowels, four 12-inch pieces and one 90-inch piece of hemp twine, four 12-inch pieces of bell wire, one 12-by-15-inch piece of thin vinyl

Bind the four sticks or dowels together with bell wire to form a rectangle. Be sure to make these joints as rigid and tight as possible. Cut the piece of vinyl in the shape of a skin. Punch holes around the edges. Tie the four corners in place with the four 12-inch pieces of twine, and then lace around the skin with the 90-inch piece of twine. Sew, staple, or glue badges to the "skin."

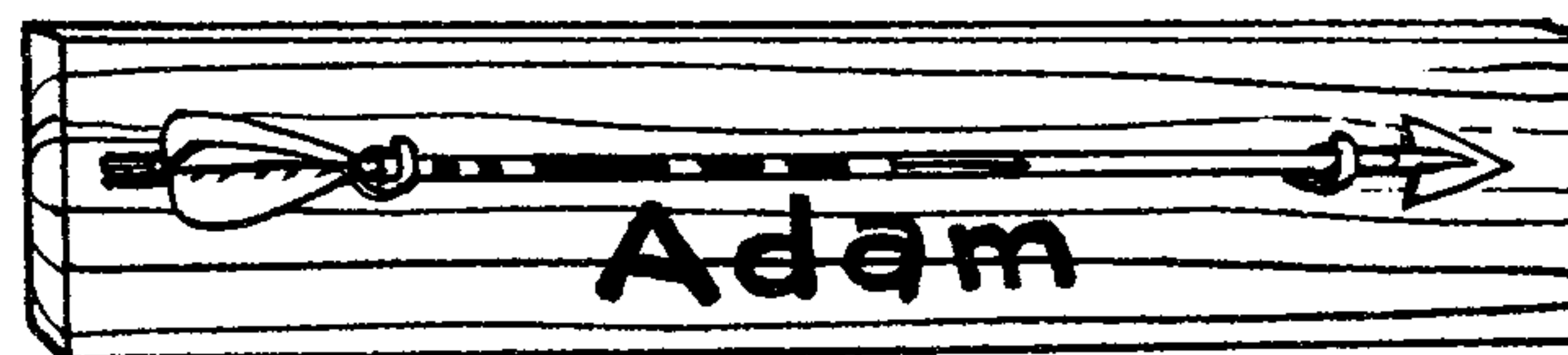
WALKING STICK

Materials: Large dowel stick long enough and thick enough for a suitable walking stick, 12 inches of leather lacing, piece of rope or yarn

Drill a hole through the dowel about 4 inches from the top. Thread the leather lacing through the hole and secure with a square knot. Encourage boys to attach something of significance to this loop for each milestone they wish to remember. These "dingle danglers" can be, for instance, a branded piece of leather, feathers, or beads and other trinkets. Paint the walking stick, or carve it or wood-burn it.

CAREER ARROW

What better way to recognize the Arrow of Light, Cub Scouting's highest honor, than with a decorated arrow? Purchase arrows at sporting goods stores that sell archery equipment.



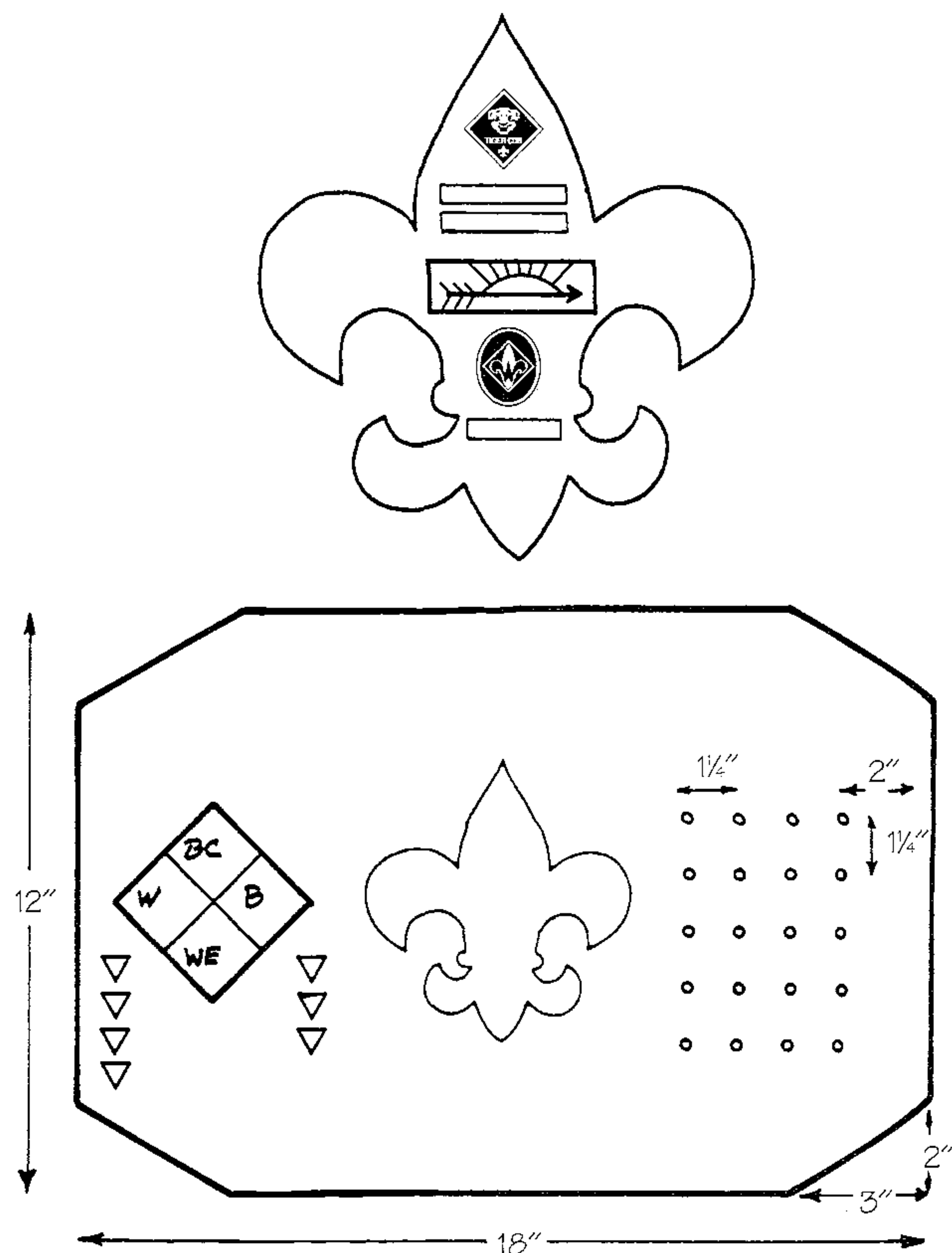
Materials:

- 28-inch hunting arrow with broadhead point and blue and yellow feathers
- Acrylic paint or auto detailing tape
- 1-by-2-inch wooden board 30 inches long
- Wood stain
- Two cup hooks
- Picture hanger

Paint or use auto detailing tape to make 3-inch-wide stripes on the arrow for each rank the boy has achieved. Use orange for Tiger Cubs, black for the Bobcat badge, yellow for the Wolf badge, light blue for the Bear badge, and red for the Webelos badge. Add a 1/4-inch stripe of gold or silver for each arrow point or Webelos compass point the boy has earned on top of the stripe that represents that rank.

Stain the 30-inch wood board and attach two cup hooks on the front to hold the arrow. Add the boy's name using permanent markers. Attach a hanger on the back.

GRADUATION PLAQUE



Materials:

½-inch plywood, 12 by 18 inches

¼-inch plywood, 5 by 5 inches

Stain

Gold paint

Black paint or permanent marker

Fine steel wool

Picture hanger

Cut a plaque from the ½-inch plywood using the pattern shown. Stain and seal with clear lacquer or varnish. Cut the fleur-de-lis from the ¼-inch plywood and paint it gold. Tone down with fine steel wool. Drill or nail small holes for each activity badge the boy has earned. Glue on only the badges of rank and arrow points a boy has earned. Glue in the holes the activity badges the boy has earned. Add the boy's name, pack number, and date using black paint or permanent markers. Attach a hanger on the back.

ADD-A-BEAD NECKLACE

Materials: 30 inches of leather lacing, colored beads

Give each Cub Scout an add-a-bead necklace to wear to the pack meeting as a special and immediate recognition to take home with him. Use different colors of beads to symbolize attendance, advancement, participation in pack and council events, etc.

Feathers, eagle talons, and bear claws can have special significance, such as rank advancement. The Cub Scout can pick up the beads at the pack meeting to add to his necklace.

Add-a-bead necklaces work well for adults and den chiefs, too. Use the different colors of beads to represent attendance at pack activities, participation in training, awards earned in Scouting, tenure, the den advancing in rank, participation in service projects, leadership for district and council events, etc.

In the Public Eye

A strong, active Cub Scout pack has a story to tell, both within the pack family and to the larger community it serves. And if the pack hopes to remain strong and active, it's important that its story be told.

Good communication with the pack's families is obviously essential because without their help the pack is bound to flounder. And telling the pack's story to the community—thus keeping it in the public eye—is an excellent method of attracting recruits.

PACK NEWSLETTER

Ideally, all the pack's parents and guardians will attend every pack meeting and keep abreast of what's going on and what's planned. But this isn't always the case, so monthly a pack newsletter is a good way to keep all pack families informed about activities and plans. You can also use the pack newsletter as an opportunity for giving boys who have advanced or done special Good Turns an extra measure of recognition by listing their names.

A pack newsletter doesn't have to be an elaborate, printed production—although with computers and desktop publishing, this is easier than it once was. But it also may be nothing more than a single type-written sheet that has been photocopied. Every issue should include short articles covering coming events and names of boys who have advanced.

You may want to have dens contribute short articles on their activities for the month. Assign a different den member with the job of reporting each month.

Choose a pack committee member or parent/guardian to be newsletter editor, another to be typist, and a third to be the production person. Mail the newsletter to homes, or distribute it to families at pack or den meetings. (It may not be a good idea to give copies to boys to take home because they may lose, misplace, or forget them.)

Individual dens may want to have their own occasional newsletter, with all articles and production in the hands of the boys.

DISPLAYS

Schools, religious institutions, local historical societies, libraries, and even some businesses will often allow temporary exhibits and displays. To help publicize the pack, dens could exhibit pinewood derby cars, crafts, and photographs of pack activities. This is also a useful recruiting tool, especially when displays are shown where other boys can see them and get excited about Cub Scouting.

NEWS RELEASES

Pack activities are newsworthy. Newspaper editors and news directors of radio and television stations are interested in stories about unusual pack activities. Most newspapers don't have the resources to cover every event in every community, but they do appreciate getting factual information about especially interesting events. Neighborhood and small-town newspapers are more likely to print a story of this type than large city newspapers. But in either case, a news release, typewritten in the proper form, stands a better chance of being used than if you merely call the paper or turn in some haphazard notes.

Community-access cable TV offers another way to get your pack's story before the public. Some cable TV stations will also schedule dens or packs to produce their own TV shows.

Your pack event must compete with all the other activities that are going on in the community at the same time. If your activity has a unique angle, it is more likely that your event/news release will catch an editor's attention. Consider writing releases on such things as special service projects, special anniversaries, visits by well-known individuals, or unusual outdoor activities. But many newspapers will also use stories about recruiting drives and monthly pack meetings, with lists of boys who received awards.

First, check with an editor or broadcast news director to see whether the paper or station has a special format for news releases that you should follow. If not, follow these guidelines:

- **Timing is essential.** Deliver the news release well before the deadline. If the story is about an event that has already happened, it isn't news after a day or two.
- **The first paragraph** of a news release should catch the reader's attention. It should tell *who* did *what*, *when*, and *where*. Subsequent paragraphs should give further details. The least important informa-

tion should be at the end of the story, so it may be cut if necessary for space.

- **Terminology.** Use correct titles, with capital letters as indicated: Cub Scout, Webelos Scout, den chief, Cubmaster, assistant Cubmaster, den leader, Webelos den leader. Always capitalize the word *Scouting*. (Note, however, that some publications will have their own style and may change your capitalization.)
- **When mentioning the pack for the first time** in the story, identify it as *Cub Scout Pack [number]*, followed by the name of your chartered organization. In other paragraphs, refer to "the pack" (lowercase) or "Pack 10" (uppercase).
- **Always use the full names** of any individuals the first time they are mentioned in the news release. When only one or two Cub Scouts are mentioned (as for important awards), add the names of the parents/guardians. It is usually best not to include addresses, but if more than one town is involved, name them. Names of adult should include Scouting titles, if applicable.
- **Check with the editor** to find out whether you can use photographs, and if so, what the specifications are (size and type, etc.). If you furnish photos, try to get "action" shots, which are much more interesting than "head" shots or shots of people shaking hands. Identify all the people in the photo (left to right), giving their full names.

SCOUTING SHOWS

Your pack will want to be part of your council's (or district's) Scouting show, Scoutorama, or other exposition featuring Scouting. Getting involved will help pack families understand that they are part of the entire Scouting family—which includes Tiger Cubs, Boy Scouts, Varsity Scouts, and Venturers.

Your Cub Scouts will have a wonderful time participating. Scouting shows demonstrate to the public how Scouting serves youth and the community. Some councils hold Scouting shows each year, and others, every other year. Your pack will be informed in plenty of time and will probably be asked to provide a demonstration or exhibit. You may be assigned a booth or asked to make one.

The council will provide you with guidelines and suggestions. Here are some general tips as you prepare for a Scouting show:

- Boys should be well-trained and thoroughly familiar with the booth subject.
- They should be able to explain what they are doing, how, and why.
- Boys should be courteous and well-behaved.

- Boys should be in proper uniform (except when the subject of the booth calls for costumes).
- One boy can act as a barker to attract attention to your booth and help tell the story.
- Colorful, eye-catching backgrounds and decorations will draw people to your booth.
- Displays on the booth subject made by the boys add to its appeal and are sometimes an important factor in judging.
- Giveaways attract interest and attention. Give inexpensive prizes for participation in booth activities or games. Boys might also make craft items to give away.
- Don't sell anything at booths. The pack will earn profits from ticket sales.
- Action in the booth is important. If the boys are making a craft item, it should be simple and quickly made while spectators look on. Consider involving spectators in games and other activities.
- Each den is usually assigned a time to cover the booth. Be sure to let them know when, and what they are supposed to do.
- The den chief can help Cub Scouts in the booth while the den leader or other adults are nearby.

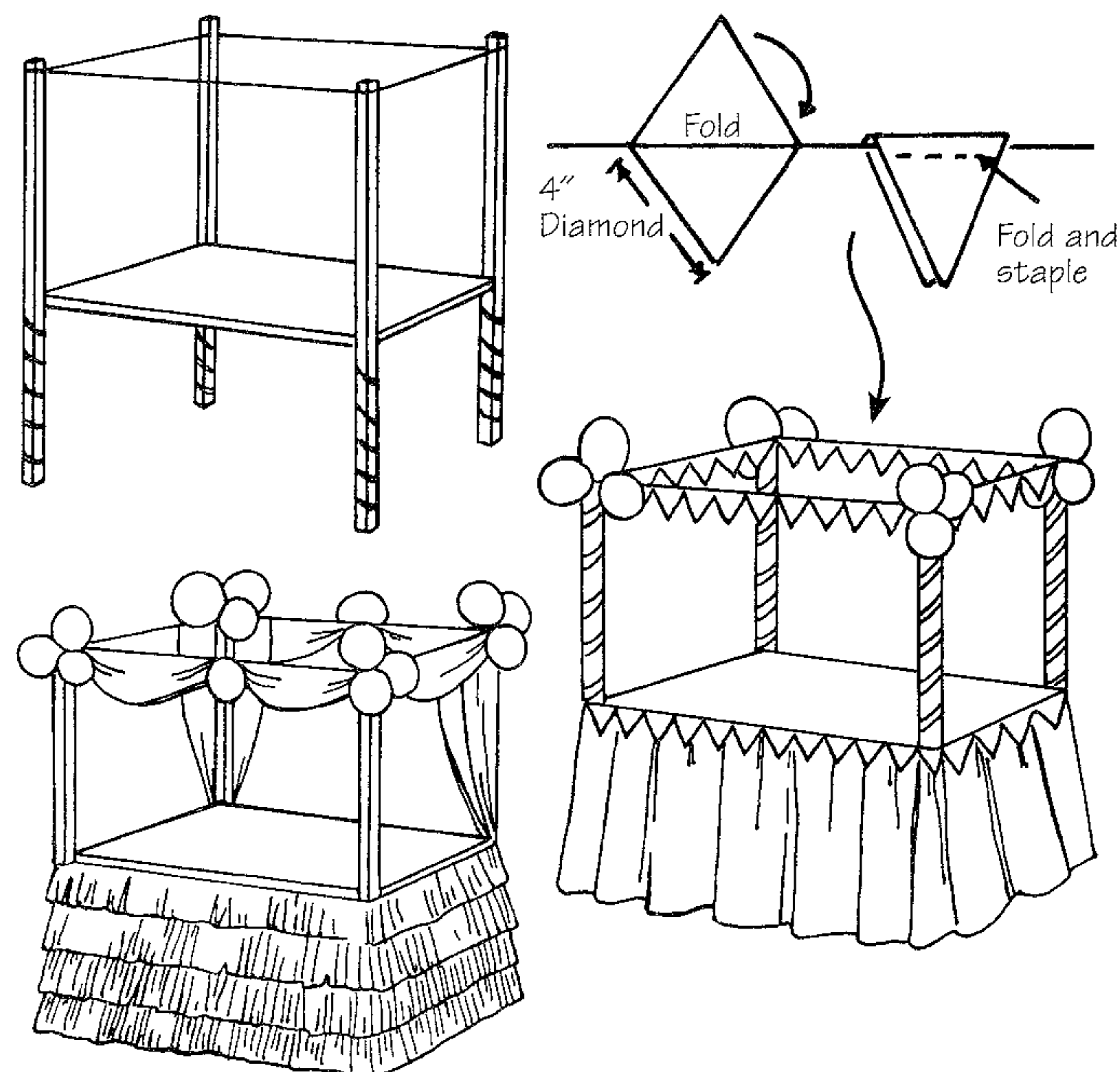
Types of Booth Activities

The type of booth activity will depend on the theme of the Scouting show, the criteria for judging, and the resources you have. A continuous demonstration, staffed by the boys and with plenty of action, is better than a static display. Here are some examples for booth demonstrations and activities:

Pinewood derby	Puppet show
Space derby	Kites
Bicycle safety	Skits
Costumes	Paper airplanes
Obstacle course	Physical fitness
Musical instruments	Soap carving
Beanbag toss	Turtle race
Woodworking	Bird feeders
American Indian crafts	Neckerchief slides
Model building	Block printing
Wolf, Bear, and Webelos advancement projects	Tossing games
Cub Scout Academics and Sports	Masks
	Leatherwork

Decorating the Booth

Crepe paper is one of the best materials for booth decoration. (Always use flameproof crepe paper!) It comes in many colors and can be stretched, twisted, fringed, crushed, scalloped, fluted, or ruffled. You can cover booth frames with sheets of crepe paper.



Use colorful crepe paper twists, ruffles, or streamers to trim the booth.

Brown wrapping paper is also good for covering frames. Decorate it with paint, crayons, or markers before tacking or stapling it to the booth frame. Burlap or other inexpensive fabric is another type of frame covering. Lightweight posters and displays can be pinned to the fabric.

If sheet cardboard is available, use it to make sturdy booth sides. It is easily fastened to wooden booth frames with tacks or a staple gun. It can be painted with leftover latex wall paint, which adds both color and strength. Use a roller for painting large pieces. Add details over the latex with tempera or wide-line felt-tip markers. Attach signs and other lightweight displays to cardboard with tape, staples, or straight pins.

Foam board is another lightweight, strong siding for booths. Although more expensive than cardboard, it comes in many bright colors and has all the ease of cardboard. It can be cut into smaller sizes and mounted for booth signs, etc. Because it has a smooth surface and bright color, it may be better to use where there will be writing—the name of the booth or other display material.

Another alternative to wood for booth construction is PVC pipe, which has the advantage of being lightweight and easily portable. The joints and poles eliminate the need for hammer and nails, and the parts can be reused for other projects fairly easily. PVC can be painted just like wood, and siding can be glued or taped to the frame.

Be sure to include a large sign showing your pack number and the name of your chartered organization in bold letters. You may wish to post a chart showing

